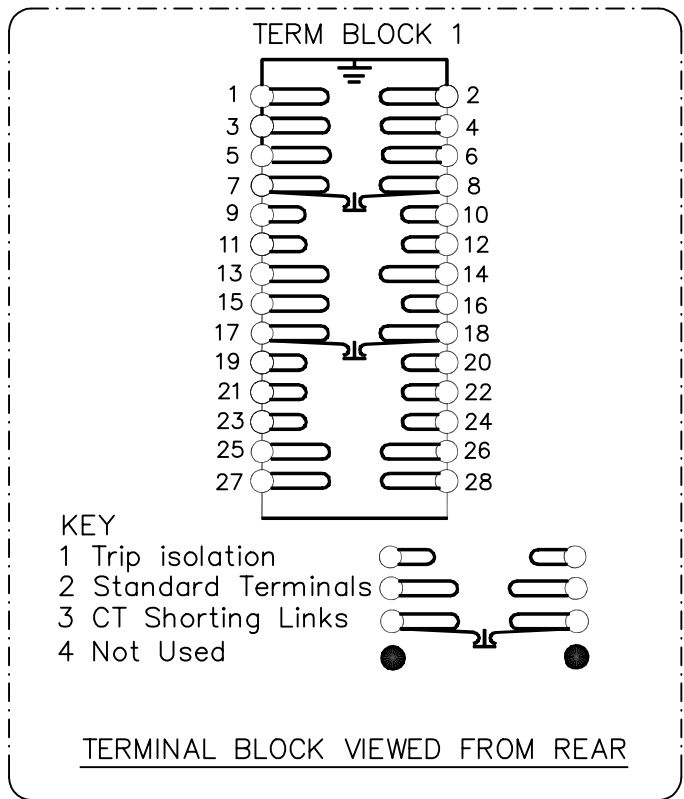
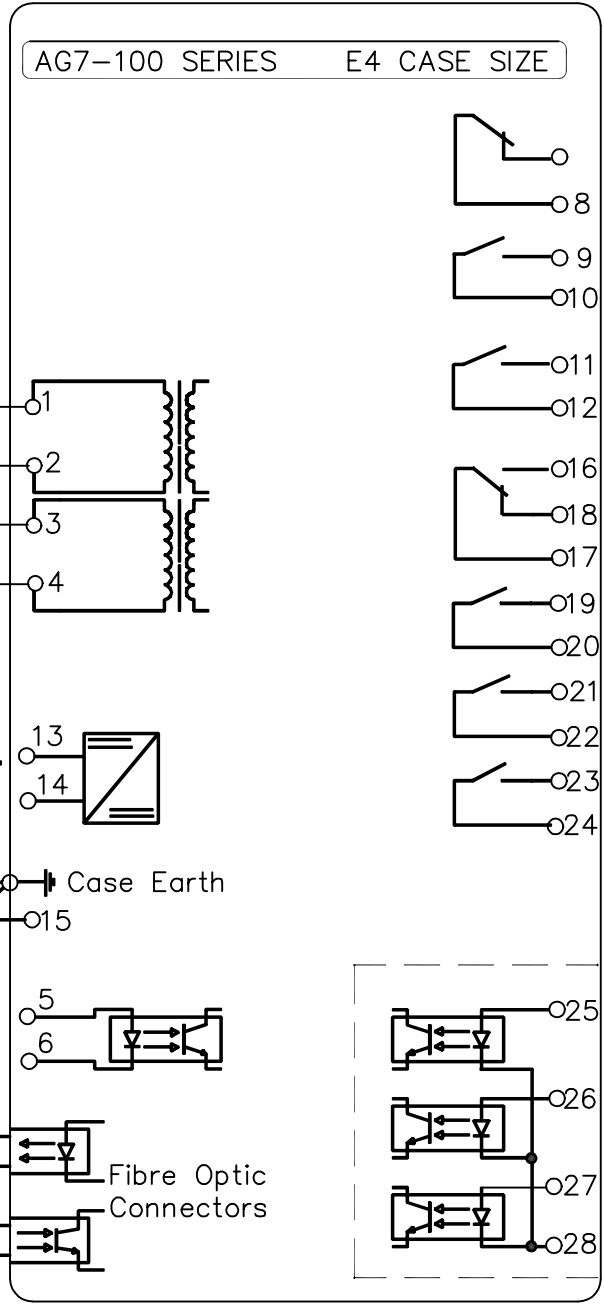
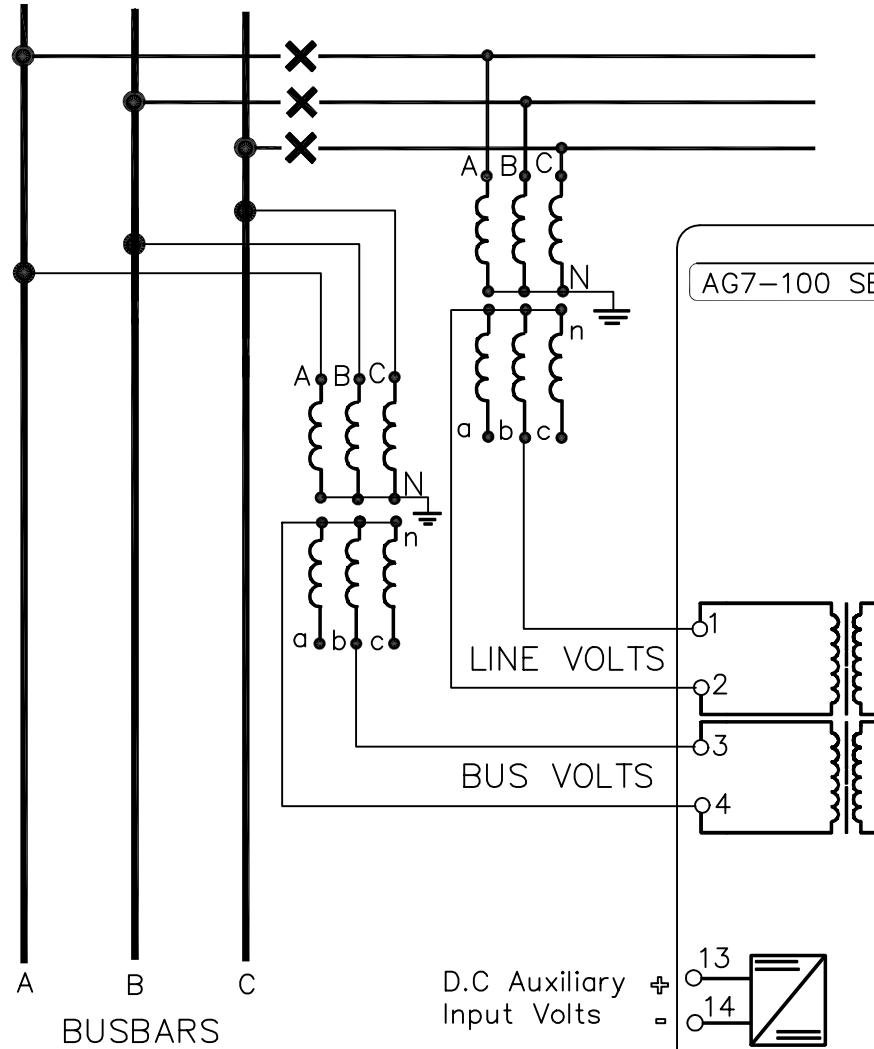


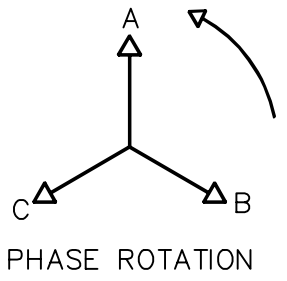
IF IN DOUBT ASK  
DO NOT SCALE

RELAY ORDERING CODES: AG7(101-102) CHECK SYNCHRONISING RELAY

**NOT SUBJECT TO UPDATE  
ONCE COPIED / PRINTED  
OR DOWNLOADED**



**NOTES**  
1 VT CONNECTIONS ARE SHOWN FOR PHASE-NEUTRAL, PHASE-PHASE IS ALSO POSSIBLE.  
2 VT & EARTH CONNECTIONS ARE TYPICAL ONLY.



Check Synchronising Relay AG7

**MATERIAL:**

Dimensions in millimetres : Surface texture in micrometres.  
Machine where marked ✓  
For explanation of dimensions, tolerances, notes etc. see B.S.308.  
Limit on untoleranced unmachined dimensions ± \_\_\_\_\_  
Limits on untoleranced machined dimensions to B.S.4500;  
i.e. up to 6±0.1; over 30 to 120±0.3; over 315±0.8;  
over 6 to 30±0.2; over 120 to 315±0.5;  
General unmachined angular tolerance ± \_\_\_\_\_

Finish: \_\_\_\_\_  
Treatment: \_\_\_\_\_

Title: TYPICAL SCHEMATIC DIAGRAM CHECK SYNCHRONISING RELAY ARGUS 7  
**Reyrolle Protection Hebburn.**  
Original Scale: NTS

First used on: \_\_\_\_\_  
Similar Articles: \_\_\_\_\_  
Supersedes: \_\_\_\_\_  
Drg. No. **2732W10002**

2	19/4/02	MN434/2292
1	24/4/01	CHANGE NOTED
ISSUE	DATE	NOTED

DRAWN M LEASK	CHECKED	APPROVED R.D.WATSON	DATE 24/07/02	IE	OPS	PCP	Purch.Spec. TQ	EAC	CE	STD	A3
---------------	---------	---------------------	---------------	----	-----	-----	----------------	-----	----	-----	----